

Capital

SINCE 1936

**WATER CONDITIONERS
FA & C - TIMER INITIATED
M & CM - METER INITIATED
DOMESTIC**



"You never had it so soft!"

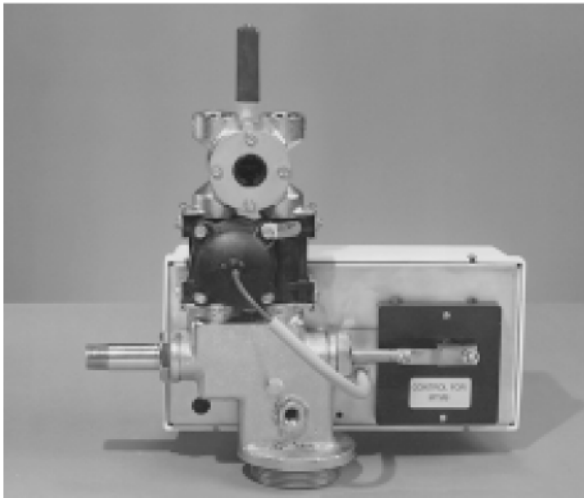
Capital Means Excellence

Many people have learned from us, and many have tried duplicating us, however there is only one (1) Capital Water Softener. One of the original pioneers in water conditioning, Capital Water Softener has been building quality products **since 1936**. Our motto goes, **“You never had it so soft!”**

FA & C and **M & CM** water softeners are **Capital Water Softener’s** No. 1 selling domestic water conditioning systems. There is good reason for this and that is the heart of this unique system, THE CAPITAL VALVE. Capital Water Softener has been using the Capital Valve since 1946. With product improvements since that time, Capital Water Softener is now producing one of the highest quality products available in the water conditioning industry today with a warranty to match.

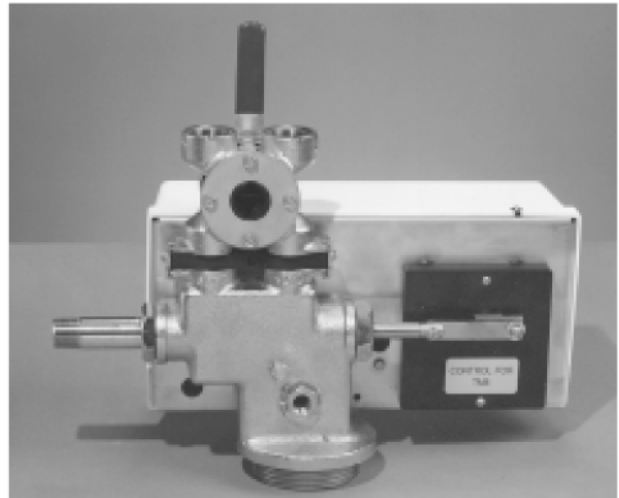
M & CM

FULLY AUTOMATIC, METER INITIATED
SAVES UP TO 50% IN SALT AND
SAVES WATER TOO.



FA & C

FULLY AUTOMATIC, (12) DAY
TIMER INITIATED.



VALVE FEATURES

$\frac{3}{4}$ " solid brass nickel plated valve body for long life and durability. Incorporated within is a two(2) piece high density poly liner assembly in which the stainless steel plunger with PVC and high density poly seals travel through to pilot the five flow cycles.

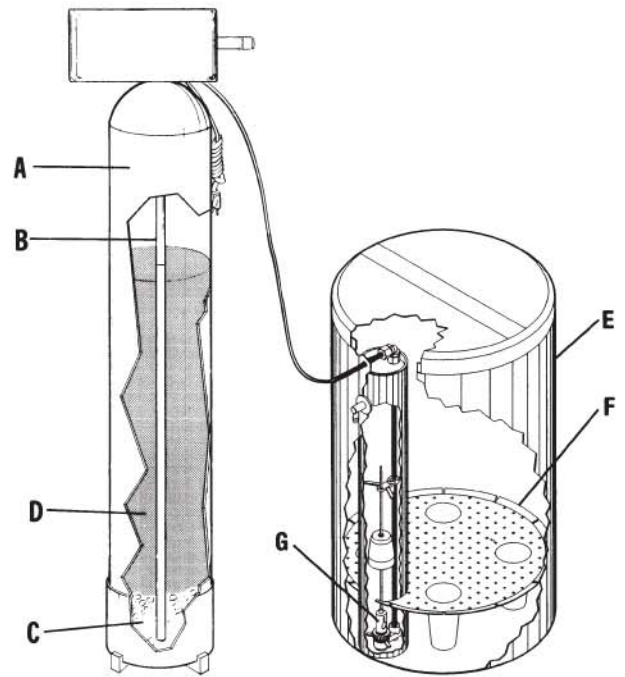
Fully automatic or can be manually placed into regeneration simply by turning the service indicator on the timer clockwise.

Heavy duty drive train for fast and smooth shifting of cycles.

Available in either 110v, 220v, 50 or 60 Hz.

FA & C AND M & CM WATER CONDITIONERS

- A. **MINERAL TANK:** Fiberglass Reinforced Pressure Vessel manufactured to operate at 150 PSI and 120°F.
- B. **DISTRIBUTOR SYSTEM:** 3-side slotted for maximum service flow and minimal pressure drop.
- C. **UNDERBEDDING:** Gravel Underbedding allows full usage of the mineral bed.
- D. **MINERAL:** High Capacity Ion Exchange. uniform beads for maximum hardness removal and long life.
- E. **BRINE TANK:** High Density Polyethylene Brine Tank with environmental stress crack properties and dust resistant cover.
- F. **SALT GRID:** Salt Grid System minimizes the salt from bridging and improves the brine concentration to obtain full capacity with each and every regeneration.
- G. **FLOAT VALVE:** Is a positive shut-off, as well as a salt dosage control.



M & CM SERIES TIMER

M & CM Series Timers are easy to adjust. Set the time of day and the gallons of water. The timer automatically monitors the system's needs and will only regenerate when necessary. Factory set to regenerate at 2:00 a.m.

METER GALLON RANGES

Standard range: 125 — 2,100 Gallons
 Extended Range: 625 — 10,500 Gallons



MODEL 5600 METER

PIPE SIZE: 3/4" or 1" connections
 FLOW ACCURACY: .25 — 17.0 ± 5%

FA & C SERIES TIMER

FA & C Series Timers are easy to adjust. Set the time of day and the frequency of regeneration. The unit will regenerate at 2:00 a.m. (Factory setting)



SPECIFICATIONS

MODEL FA & M	Mineral Tank Inches	Brine Tank Inches	Salt Capacity Storage Lbs.	Shipping Weight Lbs.	M & CM Meter
16	7 x 44	18 x 33	200	75	¾"
24	8 x 44	18 x 33	200	85	¾"
32	9 x 48	18 x 33	200	105	¾"
48	10 x 54	18 x 33	170	140	¾"
64	12 x 48	18 x 40	300	240	¾"
96	14 x 65	24 x 41	525	295	¾"
MODEL C & CM					
16	8 x 35	13 x 21	160	105	¾"
24	9 x 35	13 x 21	150	115	¾"
32	10 x 35	13 x 21	140	130	¾"

CAPACITY CHART

MODEL FA & M	Gravel In.	Resin Cu. Ft.	Rated Capacity Low Salt Grains @ Lbs.	Rated Capacity Medium Salt Grains @ Lbs.	Rated Capacity High Salt Grains @ Lbs.	Flow Rate Cont.	PSI Drop	BKW GPM
16	4	.50	12,700 @ 3.0	14,100 @ 5.0	16,300 @ 8.0	5.6	15	1.3
24	4	.75	19,100 @ 4.5	21,200 @ 7.5	24,500 @ 12.0	6.5	15	1.7
32	4	1.00	25,400 @ 6.0	28,200 @ 10.0	32,600 @ 16.0	8.4	15	2.0
48	4	1.50	38,100 @ 9.0	42,300 @ 15.0	48,900 @ 24.0	7.8	15	2.5
64	4	2.00	50,800 @ 12.0	56,400 @ 20.0	65,200 @ 32.0	10.0	14	3.0
96	4	3.00	76,200 @ 18.0	84,600 @ 30.0	97,800 @ 48.0	10.0	12.5	5.0
MODEL C & CM								
16	4	.50	12,700 @ 3.0	14,100 @ 5.0	16,300 @ 8.0	7.4	15	1.3
24	4	.75	19,100 @ 4.5	21,200 @ 7.5	24,500 @ 12.0	8.8	15	1.7
32	4	1.00	25,400 @ 6.0	28,200 @ 10.0	32,600 @ 16.0	9.0	15	2.0

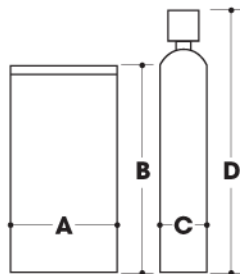
FA – Models Two (2) Tank System with 12-Day Time Clock.
 M – Models Two (2) Tank System Meter Initiated.
 C – Models One (1) Piece Cabinet with 12-Day Time Clock.
 CM – Models One (1) Piece Cabinet Meter Initiated.

OPERATING CONDITIONS

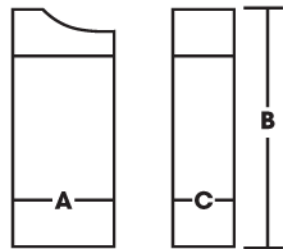
1. Temperature not to exceed 100°F and should not be subject to freezing.
2. Water pressure, minimum 20 PSI and maximum 120 PSI.
3. The drain line should not be smaller than ½" not to exceed 8 ft. in height or over 20 feet in length.
4. The brine tank should not be placed more than 10 ft. away.
5. Always provide a three (3) way by-pass system.

WARRANTY

- 7 YEARS — ALL PARTS
- 7 YEARS — MINERAL TANK
- 7 YEARS — BRINE TANK



MODEL FA-M	DIMENSIONS				MODEL C-CM	DIMENSIONS		
	A	B	C	D		A	B	C
16	18	33	7	56	16	21	44	13
24	18	33	8	56	24	21	44	13
32	18	33	9	60	32	21	44	13
48	18	33	10	68				
64	18	40	12	58				
96	24	41	14	77				



Form No. 90 FA-M C-CM SERIES

DEALER



"SINCE 1936"



MANUFACTURED BY:
CAPITAL WATER SOFTENER, INC.
 2096 HELENA ST.
 MADISON, WI 53704
 608-241-1511