

# Capital

SINCE 1936

## 2750 SERIES

LIGHT COMMERCIAL & INDUSTRIAL  
WATER CONDITIONERS



APARTMENT BUILDINGS  
BOILER TREATMENT  
CAR WASHES  
COMMERCIAL BUILDINGS  
CONDOMINIUMS  
FACTORIES  
HEALTH CLUBS

HOSPITALS  
LAUNDRIES  
MOTELS AND HOTELS  
NURSING AND REST HOMES  
OFFICE BUILDINGS  
RESTAURANTS  
SCHOOLS

*"You never had it so soft!"*

# Capital Means Excellence

One of the original pioneers in water conditioning, Capital Water Softener, Inc. has been building quality products since 1936. Quality built in to allow quality to come out. As our motto goes, "You never had it so soft!" Only the best are allowed to display the Capital name.

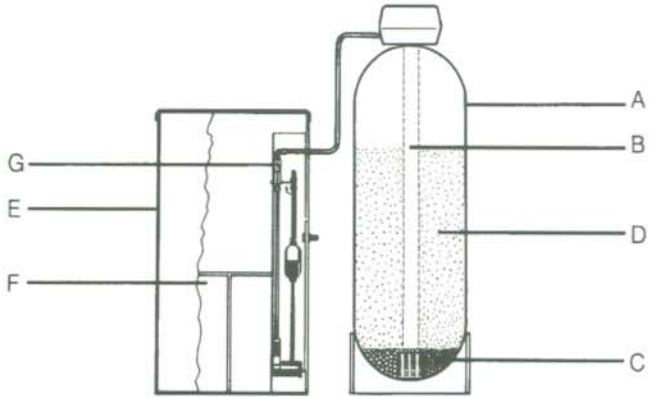
**2750 Series Conditioners** are the ultimate choice for the small to mid-size jobs. More flow rate than domestic water conditioners and less than the unneeded more expensive larger systems. Has automatic hard water by-pass during regeneration for single or twin systems or capabilities for no hard water by-pass with the aid of diaphragm valves (shut-offs on the outlet side) for twin, twin alternating, or multiple systems. No time consuming wiring is necessary. Completely factory wired for fast and easy installations. The regeneration of the **2750-TI-Series** water conditioners are timer initiated with either a 7 or 12 day timer. The regeneration of the **2750-MI-Series** water conditioners are initiated by a mechanical demand metering system and the **2750-ET-Series** water conditioners are initiated by a microprocessor demand metering system. All systems are capable of immediate, delayed, or manual regenerations.



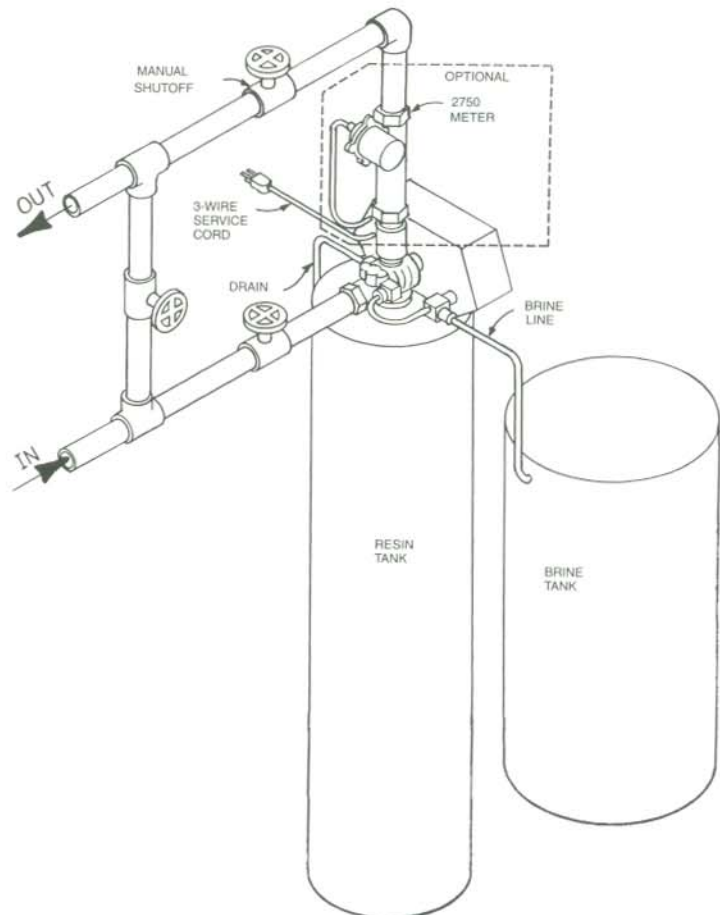
- The 2750 Series valve is a top mount control valve with a 1.0" NPT inlet and outlet, perfect for small to medium sized jobs.
- Solid brass lead free control valve body for strength and durability.
- Fully adjustable five cycle control delivers controlled upflow backwash with downflow brining, slow rinse, rapid rinse, and service.
- Time tested hydraulically balanced piston, seal, and spacer concept to pilot water flow during service and regeneration completely independent of water pressure.
- Factory installed flow controls for accurate and efficient salt dosage with each regeneration
- Timed brine refill is fully adjustable to accommodate any desired salt dosage.

# 2750 WATER CONDITIONERS

- A. MINERAL TANK:** Fiberglass Reinforced Pressure Vessel manufactured to operate at 150 PSI and 120°F. NSF approved.
- B. DISTRIBUTOR SYSTEM:** Bottom Stack — Slotted Distributor, or Hub Lateral System for maximum service flow and minimal pressure drop.
- C. UNDERBEDDING:** Gravel Underbedding allows full usage of the mineral bed and uniform distribution of flow for service and regeneration. UL listed, NSF approved.
- D. MINERAL:** High Capacity Ion Exchange, FDA approved, U.S. manufactured. Uniform beads for maximum hardness removal and long life.
- E. BRINE TANK:** FDA approved High Density Polyethylene Brine Tank with environmental stress crack properties and dust resistant cover.
- F. SALT GRID:** Salt Grid Systems minimizes the salt from bridging and improves the brine concentration to obtain full capacity with each and every regeneration.
- G. FLOAT VALVE:** Works as a secondary safety shut-off for the brine valve in the main control valve as well as a salt dosage control.

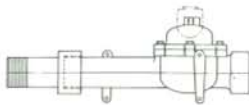


## Single System Piping Diagram



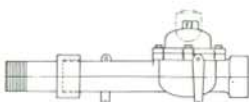
### 1" METER SPECIFICATIONS

- Standard Range 310 Gal. Min. to 5,270 Gal. Max.
- Flow Accuracy  $\pm 5\%$  0.7 to 40 gpm.
- Extended Range 1,550 Gal. Min. to 26,350 Gal. Max.



### 3/4" METER SPECIFICATIONS

- Standard Range 125 Gal. Min. to 2125 Gal. Max.
- Flow Accuracy  $\pm 5\%$  .25 to 21.6 gpm.
- Extended Range 625 Gal. Min. to 10,625 Gal. Max.





## SPECIFICATIONS

2750 TI-MI-ET Series	Mineral Tank Inches	Brine Tank Inches	Salt Storage Lbs.	Shipping Weight Lbs.	2750 Pipe Size
32-1"	9 x 48	18 x 33	200	130	1.0"
48-1"	10 x 54	18 x 33	175	160	1.0"
64-1"	13 x 54	18 x 40	300	260	1.0"
96-1"	14 x 65	24 x 41	525	315	1.0"
128-1"	16 x 65	24 x 41	525	420	1.0"
160-1"-A	18 x 65	24 x 50	510	525	1.0"
160-1"-B	21 x 62	24 x 50	510	550	1.0"
192-1"-A	18 x 65	24 x 50	510	580	1.0"
192-1"-B	21 x 62	24 x 50	510	605	1.0"
224-1"	21 x 62	24 x 50	510	655	1.0"

## CAPACITY CHART

2750 TI-MI-ET Series	Gravel Lbs.	Resin Cu. Ft.	Flow Rate Cont. 15 PSI Drop	Flow Rate Cont. 25 PSI Drop	BKW GPM
32-1"	9	1.00	15.0	20.0	2.0
48-1"	10	1.50	16.0	22.0	2.4
64-1"	35	2.00	20.0	26.0	3.0
96-1"	39	3.00	19.0	26.0	5.0
128-1"	50	4.00	20.0	27.0	7.0
160-1"-A	60	5.00	21.0	28.0	8.0
160-1"-B	80	5.00	22.0	29.0	10.0
192-1"-A	60	6.00	20.0	27.0	8.0
192-1"-B	80	6.00	21.0	28.0	10.0
224-1"	80	7.00	20.0	27.0	10.0

## CAPACITY CHART

2750 TI-MI-ET Series	Rated Capacity Low Salt Grains @ Lbs	Rated Capacity Medium Salt Grains @ Lbs	Rated Capacity High Salt Grains @ Lbs
32-1"	20,000 @ 6.0	24,000 @ 8.0	32,000 @ 15.0
48-1"	30,000 @ 9.0	36,000 @ 12.0	48,000 @ 22.5
64-1"	40,000 @ 12.0	48,000 @ 16.0	64,000 @ 30.0
96-1"	60,000 @ 18.0	72,000 @ 24.0	96,000 @ 45.0
128-1"	80,000 @ 24.0	96,000 @ 32.0	128,000 @ 60.0
160-1"	100,000 @ 30.0	120,000 @ 40.0	160,000 @ 75.0
192-1"	130,000 @ 38.0	150,000 @ 50.0	192,000 @ 90.0
224-1"	140,000 @ 42.0	168,000 @ 56.0	224,000 @ 105.0

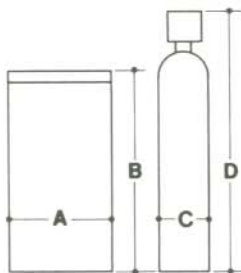
## OPERATING CONDITIONS

1. Temperature not to exceed 100 degrees Fahrenheit and not to drop below 34 degrees Fahrenheit.
2. Water pressure, minimum 25 PSI and maximum 120 PSI.
3. Equipment subject to change without notice due to continuous product development.

- A: Brine Tank diameter  
 B: Brine Tank Height  
 C: Mineral tank diameter  
 D: Total height

### WARRANTY

- 3 YEARS — ALL PARTS
- 5 YEARS — MINERAL TANK
- 5 YEARS — BRINE TANK



DIMENSIONS				
2750 Series	A	B	C	D
32-1"	18	33	9	55.50
48-1"	18	33	10	61.50
64-1"	18	40	13	61.50
96-1"	24	41	14	71.50
128-1"	24	41	16	71.50
160-1"-A	24	50	18	73.50
160-1"-B	24	50	21	73.50
192-1"-A	24	50	18	73.50
192-1"-B	24	50	21	73.50
224-1"	24	50	21	73.50

Form No. 2750 Series

DEALER



"SINCE 1936"



MANUFACTURED BY:

**CAPITAL WATER SOFTENER, INC.**  
 2096 HELENA ST.  
 MADISON, WI 53704

608-241-1511